

Kinman

Revolutionary Zero-Hum replacement Pickups and Harness

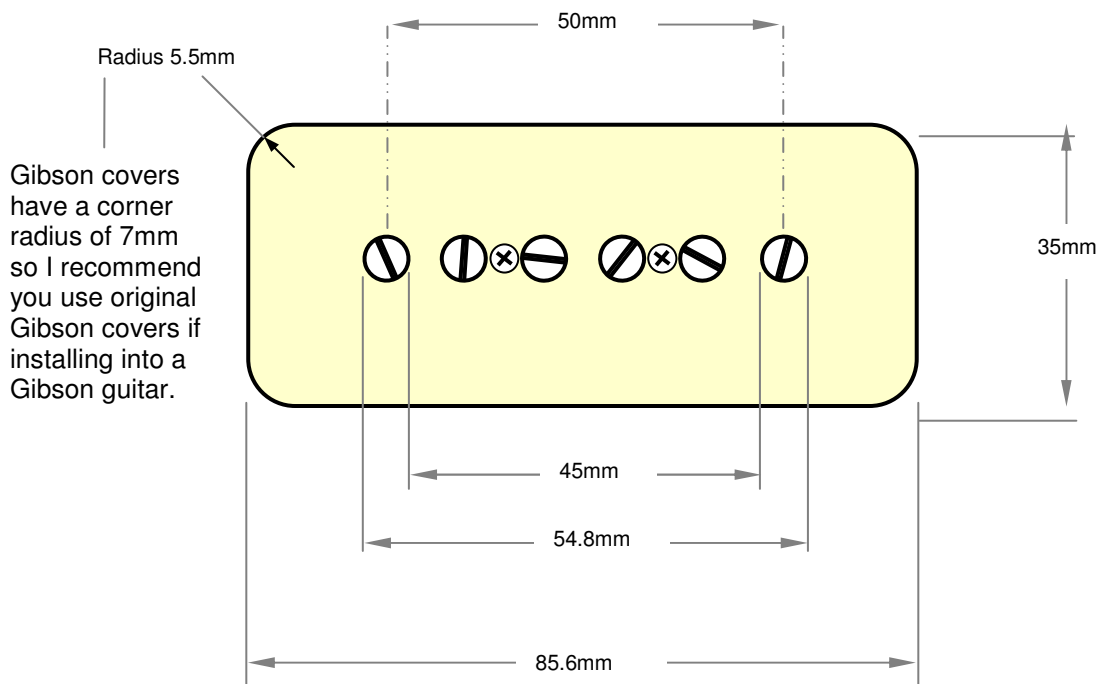
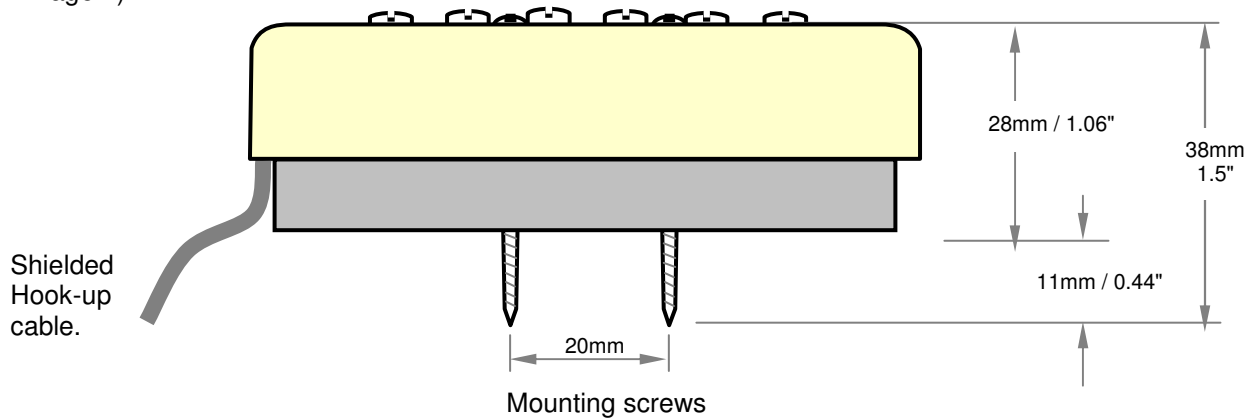
Revised cavity depth info might mean no routing necessary, see page 2 (24-Mar-10)

Dimensions and cavity details for Kinman P-90 Hx pickup
(approximately to scale)

Page 1 of 3

6-Sept-08 (Rev-4)

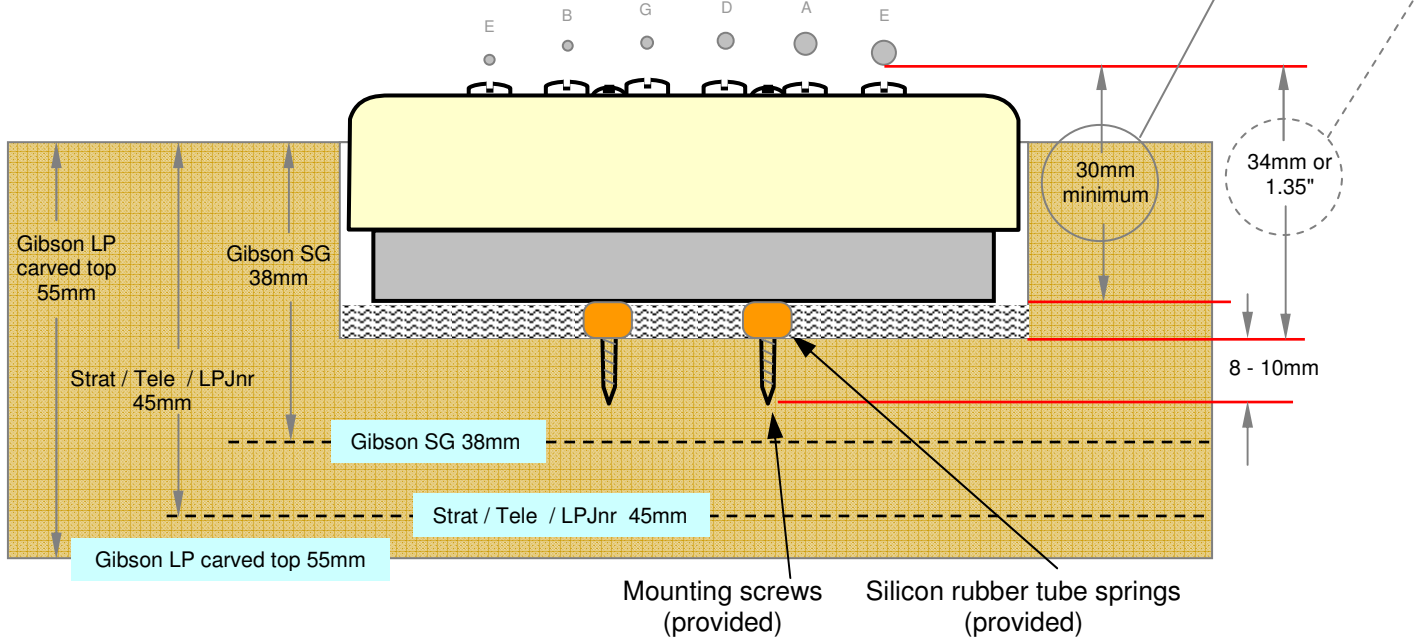
NOTE: The Hx-90 is about as deep as a Gibson P-100 pickup (stacked P-90) and will fit easily into guitars fitted with a P-100. Some other guitars may require the cavity to be deepened (see Page 2).



Gibson Les Pauls and similar guitars.

Pickup cavities with a depth of approximately 21mm at neck pickup and 14mm at bridge pickup (measured at the centerline of the body on carved-tops) will accommodate the P-90 Hx but there will be no vertical adjustment and the pickup sits on the floor of the cavity. This is OK for most players.

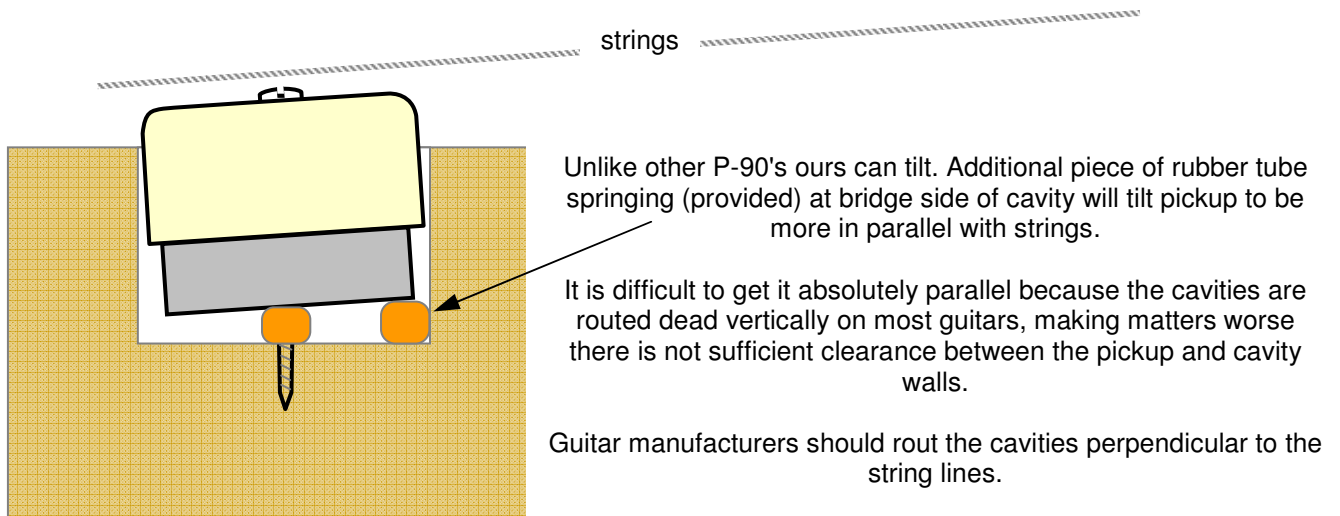
However to provide a wide range of vertical adjustment ideally there should be 34mm (or 1.35" which is just over 1-1/4") between the bottom of the strings and the bottom of the cavity (measured in the middle of the cavity under the low E string).



Included with each pickup is a handy drill guide template for positioning the screw holes of an undrilled project guitar. NOTE: To avoid drilling mounting screw holes out the back of the guitar be mindful the screws penetrate into the wood between 8 and 10 mm on most guitars.

Thin body guitars like the Gibson SG are only 38mm (1.5") thick so the tips of the screws will come to within 5mm of the back of the guitar. Be careful when drilling the holes, use a depth guide on the drill bit.

Gibson P-100 routs require Silicon Rubber tubes 13mm long for neck pickup and 7mm long for bridge pickup (included with pickup).



Stratocaster, Telecaster and other solid-bodies with pickups through a pick-guard.

I recommend using the inboard mounting screw system as distinct to the outboard mounting screws through an attached bracket. That bracket requires a longer rout in the body that can not be confined under the pick-guard of a Stratocaster at the neck position unless a custom pick-guard is made to cover the excessive routing the bracket needs.

The existing and original inboard screws are a better method of mounting through a pick-guard since it provides a means to mount the pickup parallel to the strings and does not require excessive routing. Gibson Les Pauls and the like are particularly annoying because the pickup is parallel with the back of the guitar, and sits at quite an inappropriate and difficult angle relative to the strings and because P-90's are so wide the poles have to be raised quite a distance for good proximity to the strings. Pickups look and functions better when mounted parallel to the strings.

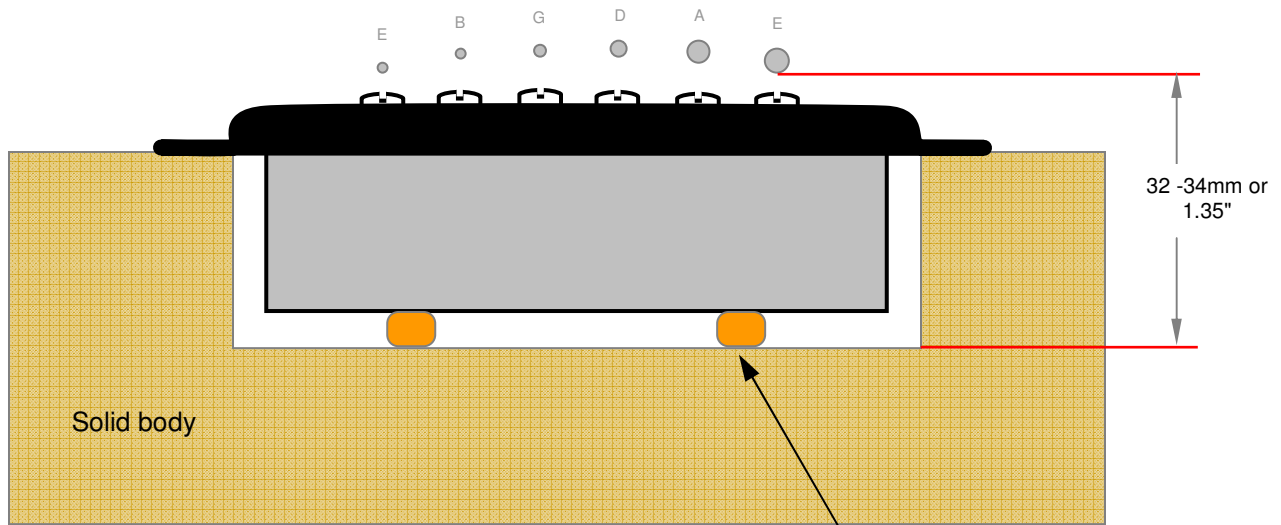
When mounting through a pick-guard it can be tricky positioning the mounting screw holes in the floor of the pickup cavity. I tried to make it easy for you with the plastic drill template included with your pickup which can be attached to the base of the pickup by driving the mount screws through the pickup and through the template. Try to position the screws in the middle of the pickup holes on the underside of the pickup before tightening, this is not crucial ... close enough to middle is probably good enough because those large holes intentionally provide a degree of misalignment for those screws. Then place the pickup into the pick-guard cut-out and rest the tips of the screws on the floor of the cavity. Fiddle with the pickup until you are satisfied it is sitting at the correct angle so that the top of cover is parallel with the strings and then tap on the heads of the mount screws (or turn them half turn forward half turn backwards several times with a screwdriver) to make an impression on the cavity floor. That impression now serves as a starting guide for a suitable drill.

If installing into a Strat or Tele the pickup cavity is should be least 21mm deep. At 21mm deep the pickup will sit direct on the floor of the cavity without rubber tube springs so there will be no height adjustment, but that's OK because the P-90 Hx has adjustable screw poles to take care of that. If it is deeper then 21mm the rubber tube springs can be cut to suitable length to provide some coarse height adjustment of the entire pickup.

In both cases you have to be mindful that the long mounting screws will penetrate into the rear spring cavity of a Strat so you will have to cut them to suitable length so as not to come into contact with the springs. There is no such concern for Telecasters.

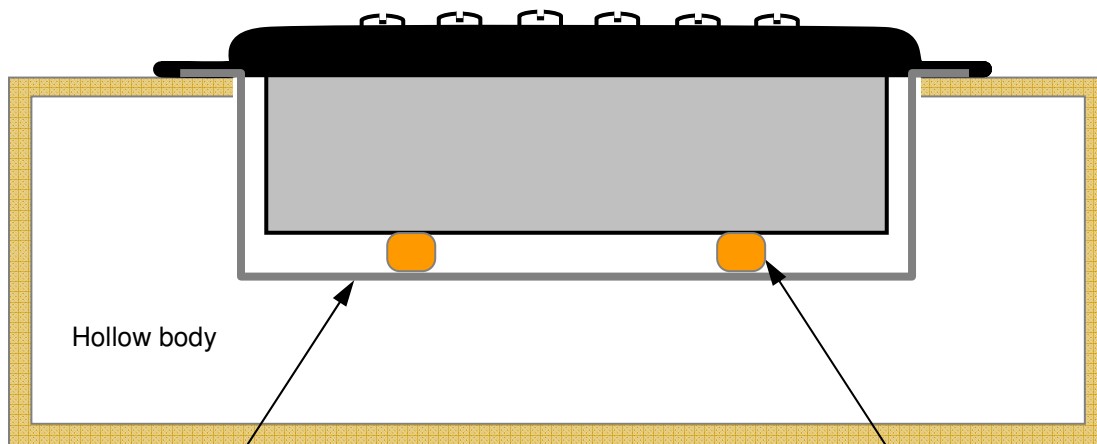
Mounting under an existing Dog Ear cover. (Dog Ear covers are not supplied by Kinman)

Solid body guitars.



Silicon rubber tube springs (provided) will push the pickup against the underside of the cover thereby keeping it in place.

Hollow body guitars with Dog-Ear covers. Use a special Kinman bracket under the pickup to mount in hollow body arch top f-hole guitars.



Kinman bracket

Silicon rubber tube springs (provided with bracket) will push the pickup against the underside of the cover thereby keeping it in place.